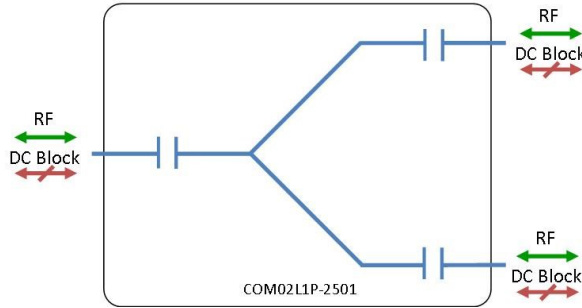




Model Number:
COM02L1P-2501

RF Components

2-Way Passive L-Band Splitter/Combiner 850-2150 MHz



- All RF ports DC blocked

Available with RF connector options:

- 50 Ω SMA
- 50 Ω N-type
- 50 Ω BNC
- 75 Ω BNC
- 75 Ω F-type.



850-2150 MHz

Operating frequency range. L-Band ready



Compact

Housed in rugged compact enclosure



Flexible Mounting

Tapped screw & through hole mounting options

Passive

RF Parameters					
COM02L1P-2501-XXXX	S5S5	N5N5	B5B5	B7B7	F7F7
Frequency Range	850 - 2150 MHz				
RF Connectors	50Ω SMA	50Ω N-Type	50Ω BNC	75Ω BNC	75Ω F-Type
Mean Insertion Loss (dB)	0.4 ± 0.2	0.4 ± 0.2	0.4 ± 0.2	0.4 ± 0.2	0.4 ± 0.2
Flatness ± (dB)	0.25	0.25	0.25	0.25	0.25
Input Return Loss (dB)	Typ.	20	20	20	20
	Min	16	16	16	16
Output Return Loss (dB)	Typ.	26	26	26	26
	Min	18	18	18	18
Isolation (dB)	Typ.	25	25	25	25
	Min	20	20	20	20
Amplitude Balance (dB)	≤0.2	≤0.2	≤0.2	≤0.5	≤0.5
Phase Balance (Degrees)	≤2°	≤2°	≤2°	≤5°	≤5°

The given Insertion Loss specified is the loss above the theoretical limit for a lossless divider
 10MHz Insertion Loss is up to 3dB above the theoretical loss*
 10MHz Rejection is 20dB*
 *To ports which are applicable

Broadcast



Marine Oil & Gas



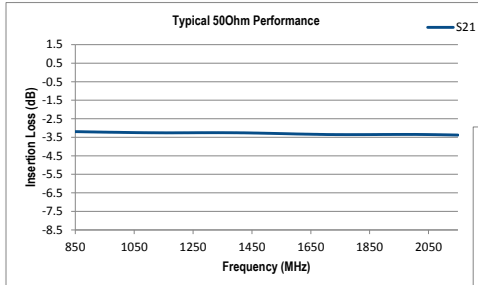
SNG & VSAT



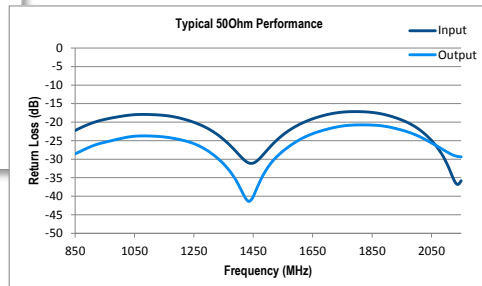
Satellite Teleport



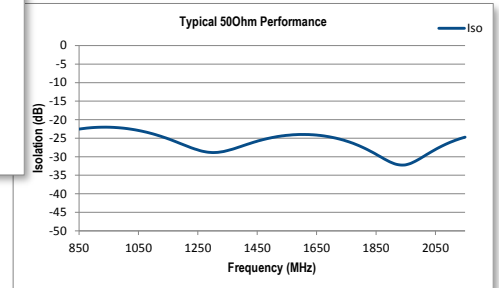
Technical specifications and operating parameters



Insertion Loss



Return Loss



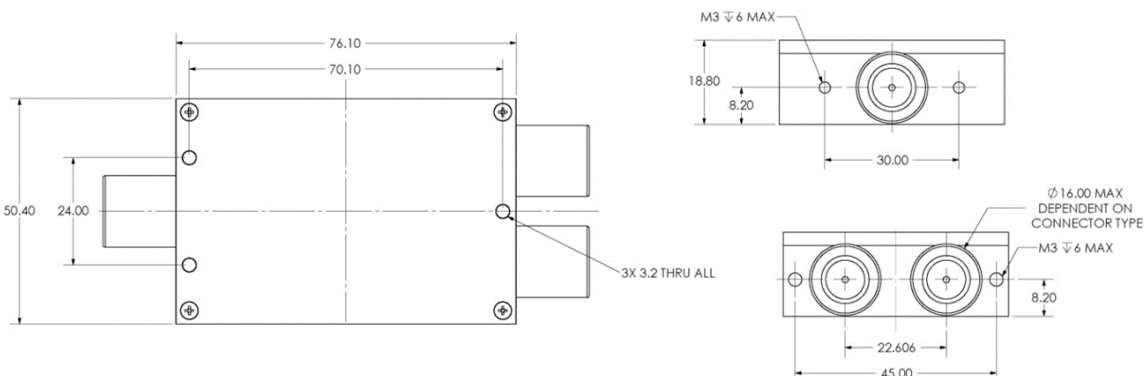
Isolation

Environmental		
Operating Temperature		0°C to +45°C
Storage Temperature		-20°C to +75°C
Location		Indoor use Only
Humidity	Max.	85% non-condensing
Altitude	Max.	10,000 feet

Max Operating Parameters	
Input RF Power into matched load with 20dB return loss	+27dBm (500mW) as combiner +37dBm (5W) as splitter
DC Voltage	35V on any RF port
DC Current	N/A
DC Consumption	N/A

! Operation beyond these limits may cause instantaneous and permanent damage.

Physical Dimensions (mm)



Note: The specification is subject to regular reviews and will be updated from time to time as part of our continuing product development and improved specification accuracy.